

LED PAR 56 Underwater Lights

LED PAR 56 Underwater Lights

The Certikin LED light is environmentally friendly thanks to its long life expectancy and energy efficiency. These LED lights will last up to 100,000 hours and use 80% less power than traditional under water lights thus reducing both maintenance and running costs. It is available in either a white light or a multicoloured light unit where a choice of fixed colour or automatic colour sequencing can be used to create a range of different effects. The lamp unit is available on its own and as a complete PU6 or PU9 Certikin underwater light.

PU6 Certikin Quick Change LED Light



Technical Characteristics

- White LED lamps contain 18 x white LEDs.
- Multicolour LED lamps contain 6 x red, 6 x green, 6 x blue LEDs
- High efficiency Luxeon LEDs with initial output: 745 lumens
- Maximum power consumption 45W per unit.
- Nominal voltage is 12v AC
- Complies with IPX8 protection at a nominal installation depth of 2m and with international safety standards for lights including EN 60598 -2-18 Part 2. (Overheat protection: When the temperature rises above 150°C, the output is automatically reduced, prolonging the life of the LEDs)
- Multicolour lamp has 12 function modes: 6 fixed colours and 6 colour sequences
- PLQ series lamp only option will fit any manufacturers' PAR56 light body including Certikin PU6 and PU9 light fittings. Replaces a traditional PAR56 300W 12v bulb
- Also available as PLF series complete flat light (surface mount) option with 2.5m cable available for concrete and prefabricated or liner pools

PLCB100



PLQC0800 PAR 56 LED



PLRC100

Multicolour LED operation modes:

Set colour: Selection of one set colour out of six possibilities.

Colour No.	% Red	% Blue	% Green	Colour
1	100	100	100	white
2	100	0	0	red
3	0	100	0	blue
4	0	0	100	green
5	100	100	0	purple
6	0	100	100	cyan

Automatic sequence of colours: Selection of six colour sequence programmes. Each programme is defined by the lighting time of each colour and the transition time from one colour to another according to the table below.

Sequence	Order of Colour	Colour Timing (sec)	Blending Timing (sec)
1	R,B,G,P,C,Y	2	2
2	R,G,C,B,P,Y	4	4
3	P,C,Y	4	4
4	R,B,G	8	8
5	P,C,Y	18	18
6	Y,P,C	0.5	0.5

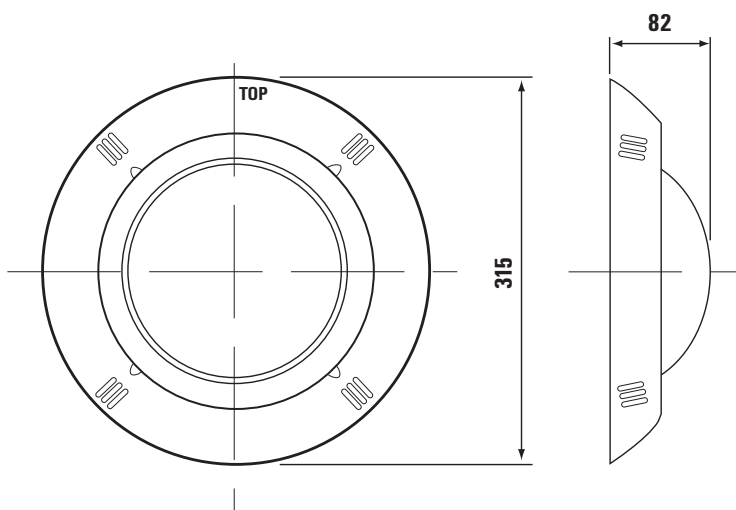
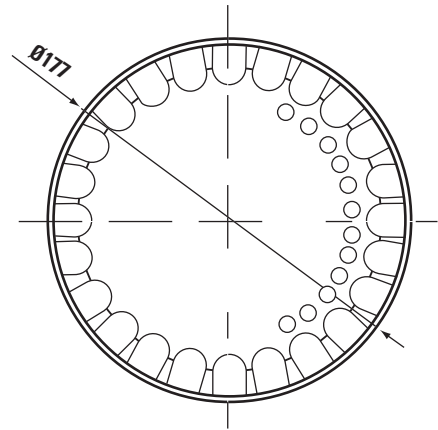
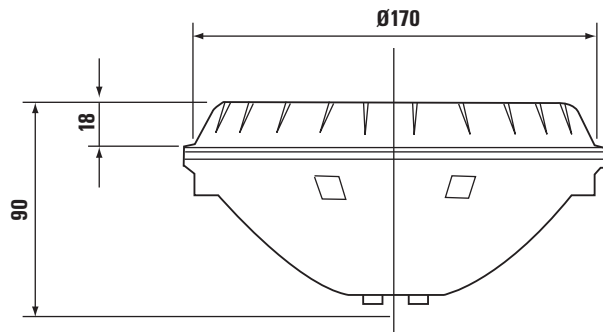
R = Red
B = Blue
G = Green
P = Purple
C = Cyan
Y = Yellow

Accessories:

- Colour sequencing on Multicolour LED lamps can be controlled either by push button (PLPB100) - one is required for each light - or via a control box
- (PLCB100) which will synchronise and control up to 15 lights.
- For ease of control on the poolside, a remote control (PLRC100) can be used in conjunction with the control box.
- A transformer capable of supplying 45VA per lamp must be installed.

Technical Drawings

PLQC0800 - PAR 56 LED light



PLFC080C
Flat light option for
surface mounting

Installation Information - Calculating the number of lights per pool

To clearly light a pool it is recommended to install a light every 20m² of water surface. In swimming pools that are especially deep, a light is required for every 25m³ of water volume.

In order to prevent glare, the lights should be installed so that they face away from the residence or usual view of the swimming pool.

In the event that lighting is used in competition or training pools, the lights should be installed on the sides (and not the ends) of the pool to prevent glare on the swimmers. **DO NOT** install the lights at the ends of the pool if the pool is to be used for racing.

For full installation and operating instructions please refer to the Flat LED light and LED Underwater light instruction booklets.

Packing

Code	Description	Weight kg	W (cm)	H (cm)	D (cm)	Volume m ³
PLQC0800 / PLQW0800	LED lamp only (PAR56)	1.075	14	14	18	0.00353
PLFC080C / PLFW080C PLFC080P / PLFW080P	LED flat light	2.28	32	9	32	0.00922
PLCB100	Control box / receiver	0.245	13	12	7	0.00109
PLRC100	Remote control	0.074	16	11	3	0.00053